

<b>ANDREX INC</b>	<b>Material Specification</b>		
	NUMBER AX-110	REV E	SHEET 1 of 4

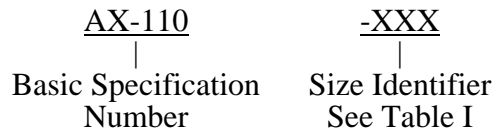
TITLE:  Strip, Nonferrous, Brass UNS C26000	WRITTEN BY: J.B. 10/16/89	
	ENG APPROVAL: J.B. 12/22/89	
THIS DOCUMENT IS THE PROPERTY OF ANDREX, INC. THIS IS PROPRIETARY INFORMATION AND SHALL NOT BE REPRODUCED OR USED FOR MANUFACTURING, EXCEPT AS MAY BE OTHERWISE PROVIDED BY CONTRACT.	CAGE CODE <b>2W880</b>	QC APPROVAL: JRHorn 12/21/89

<u>Revision</u>	<u>Description</u>	<u>Date</u>	<u>Approved</u>
-	Release to Production	12/22/89	J.B.
A	ECN-H126: QQ-B-613 was QQ-B-626 in paragraph 8	08/29/94	W.M.B.
B	ECN-H176: Revised to add dash numbers for each width.	12/09/98	W.M.B.
C	ECN-H186: Revised para 3.2: grain size was .015 nom	11/19/99	W.M.B.
D	ECN-H277: Revised para 5.2 packaging requirements ECN-H291: Revised para 5.1 coiling requirements	08/16/04	W.M.B.
E	ECN-F656 : Revised para 3.3	07/27/05	F.R.L.

<b>ANDREX INC</b>	<b>Material Specification</b>		
	NUMBER AX-110	REV E	SHEET 2 of 4

**1. SCOPE.**

- 1.1 Scope. This specification defines the requirements for brass strip for use in the production of strip wound conduit and hose.
- 1.2 Classification. Part Numbers under this specification are coded as follows:



**2. APPLICABLE DOCUMENTS.**

This section does not apply to this specification.

**3. REQUIREMENTS.**

Material shall be brass in accordance with UNS C26000 and as specified herein.

3.1 Chemical Analysis Requirements:

Cu:	68.5-71.5%
Fe:	0.05% max.
Pb:	0.05% max.
Zn:	Remainder.

3.2 Physical Analysis Requirements:

Yield:	40,000 psi min.
Elongation:	40% in 2 inches, min.
Grain Size:	.010-.015mm.
Hardness:	Fully annealed
Thickness:	.0032±.0003
Width:	As specified in Table I

**TABLE I**

Size Identifier	Width
-210	.210 +.001/-.003
-250	.250 +.001/-.003
-4125	4.125 ±.015

3.3 Material Workmanship:

Material shall be clean and smooth finished. Must be free from oil, grease, and foreign matter and free from burrs and scratches. The slit strip edges are to be flat on both sides and must not vary in flatness more than 15% of the material thickness.

<b>ANDREX INC</b>	<b>Material Specification</b>		
	NUMBER AX-110	REV E	SHEET 3 of 4

#### 4. QUALITY ASSURANCE PROVISIONS.

4.1 Quality Assurance shall be responsible for inspection of material upon receipt of each lot for conformance to this specification, or unless otherwise specified by any requirements stated on the lot's specific purchase order.

#### 5. PREPARATION FOR DELIVERY.

##### 5.1 Coiling Requirements:

All coils shall be wound of unspliced material. Standard width sheet coils and vender slit coils shall have a coil outside dimension of 14" to 20". All coils shall have an inside dimension of 6". Coils with an O.D. of 10" to 14" will be accepted, provided that they do not constitute more than 10% of any single shipment. Coils under 10" will be rejected. Every effort should be made to supply coils with the largest O.D. possible but not to exceed the 20" O.D. maximum.

##### 5.2 Packaging:

Shipping pallet must be made to accommodate lift forks with a 30" outside dimension. Pallet shall weigh no more than 1,500 lbs. Each pallet is to be protected from moisture and physical damage during shipment. All coils must lay flat in a horizontal manner. 4-1/8" coils must not be stacked. See Figure 1.

- Outer Coil Wrap (A)
- Cardboard Core (B)
- Roll Edge Covercaps (C)
- Skid Liner (D)
- Coil Seal Protectors (E)

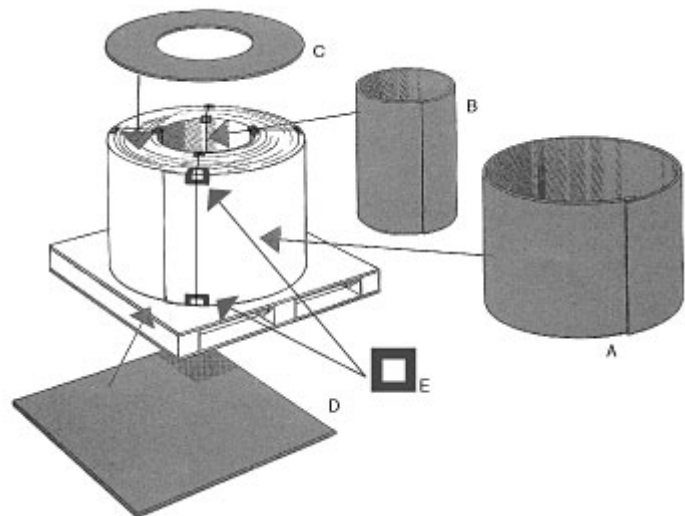


Figure 1

##### 5.3 Certification:

Certificate of Compliance and Analysis Test Report must accompany each shipment.

<b>ANDREX INC</b>	<b>Material Specification</b>		
	NUMBER AX-110	REV E	SHEET 4 of 4

**6. NOTES.**

6.1 Ordering Information: Purchase orders should specify the following:

- a. Part Number including size identifier (see 1.2)
- b. Description
- c. Quantity, total poundage.
- d. Delivery Date